

BX-MFB04

16A Multifunction Four Channel Actuator

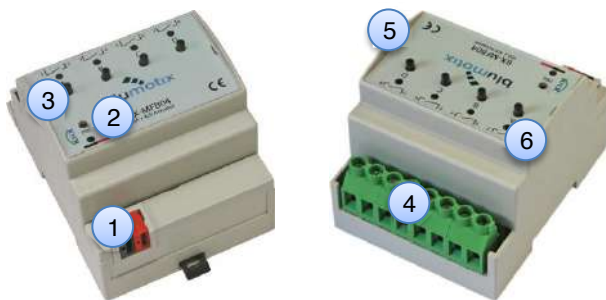
data sheet

Operating Instructions for authorized electricians



Important Safety Notes

Installation and commissioning of the device can only be carried out by authorized electricians. The relevant standards, directives, regulations and instructions must be observed. The devices are approved for use in the EU and have the CE mark. Danger High Voltage: screw terminals can support 230VAC x 16A loads. Disconnect the main power supplies before installation or disassembly.

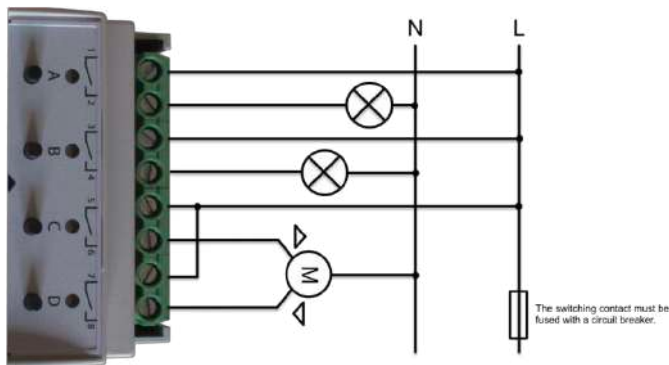


Operating Parts

- (1) KNX bus terminal
- (2) Programming key
- (3) Red programming Led
- (4) Output power screw terminals
- (5) Buttons for manual actuation
- (6) Green ON/OFF Led

Installation

- (1) Place the Switch Actuator on DIN 35mm rail.
- (2) Connect the Switch Actuator to the KNX bus.
- (3) Wire up the Switch Actuator as described in the circuit diagram.
- (4) Switch on KNX power supply and provide ETS program.



Data

Number of Outputs	4
Ohmic Load	16A
Voltage	230VAC
Max Inrush Current	170A/2ms
Output Life Expectancy (mech.)	1.000.000
Power Supply	via KNX bus
Operation Temperature Range	[0-45]°C
Enclosure	IP20
Design	91mm x 72mm x 62mm

